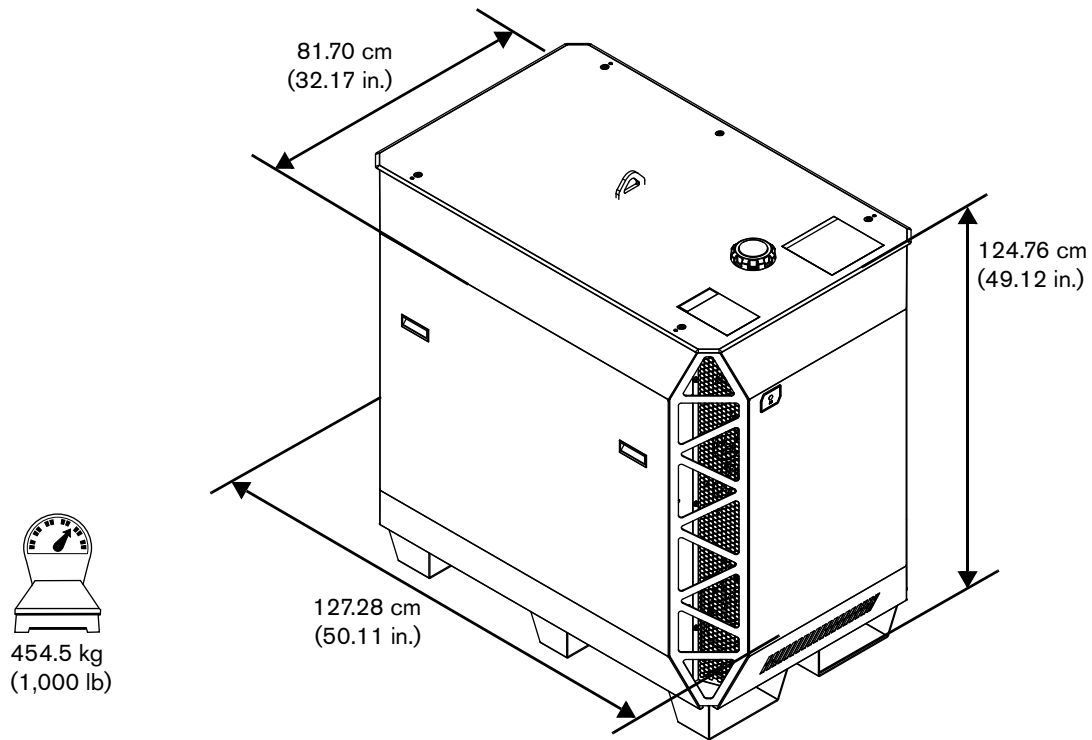


Plasma power supply (part number varies)



The part number and specifications can differ for your plasma power supply. (See *Table 1* on page 28 and *Table 2* on page 28 for part numbers and specifications.)

Table 1 – Plasma power supply general specifications

Maximum open-circuit voltage (U_0)	360 VDC
Maximum output current (I_2)	170 A
Output voltage (U_2)	50 VDC – 210 VDC
Duty cycle rating (X)	100% at 35.7 kW, 40°C (104°F)
Operational ambient temperature range	>0°C – 40°C (>32°F – 104°F) – Applies only to cutting systems that use water as a shield fluid. -10 °C – 40°C (14°F – 104°F) – Applies only to cutting systems that do not use water as a shield fluid. Note: Only VWI- and OptiMix-equipped cutting systems can use water as a shield fluid.
Power factor (cos θ)	0.98 at 35.7 kW
Cooling	Forced air (Class F)
Insulation	Class H
EMC emissions classification (CE models only)	Class A
Lift points	Top lift eye Bottom lift truck slots
Lift eye weight rating	454.5 kg (1,000 lb)

Table 2 – Plasma power supply part numbers and specifications

Part number	Voltage (VAC) (U_1)	Phase	Frequency (Hz)	Rated input current at 35.7 kW output (A) (I_1)	Regulatory approval Safety/EMC	Power (kVA) ($\pm 10\%$) ($U_1 \times I_1 \times 1.73$)
078640	200	3	50 – 60	117	cCSAus	40.48
078641	208		60	112	cCSAus	
078642	220		50 – 60	106	cCSAus	
078643	240		60	97	cCSAus	
078644	380		50 – 60	62	CCC	
078645	400		50 – 60	59	CE, RCM, EAC, UKr, and AAA	
078646	415		50	56	CE, RCM, EAC, UKr, and AAA	
078647	440		60	53	cCSAus	
078648	480		60	49	cCSAus	
078649	600		60	39	cCSAus	